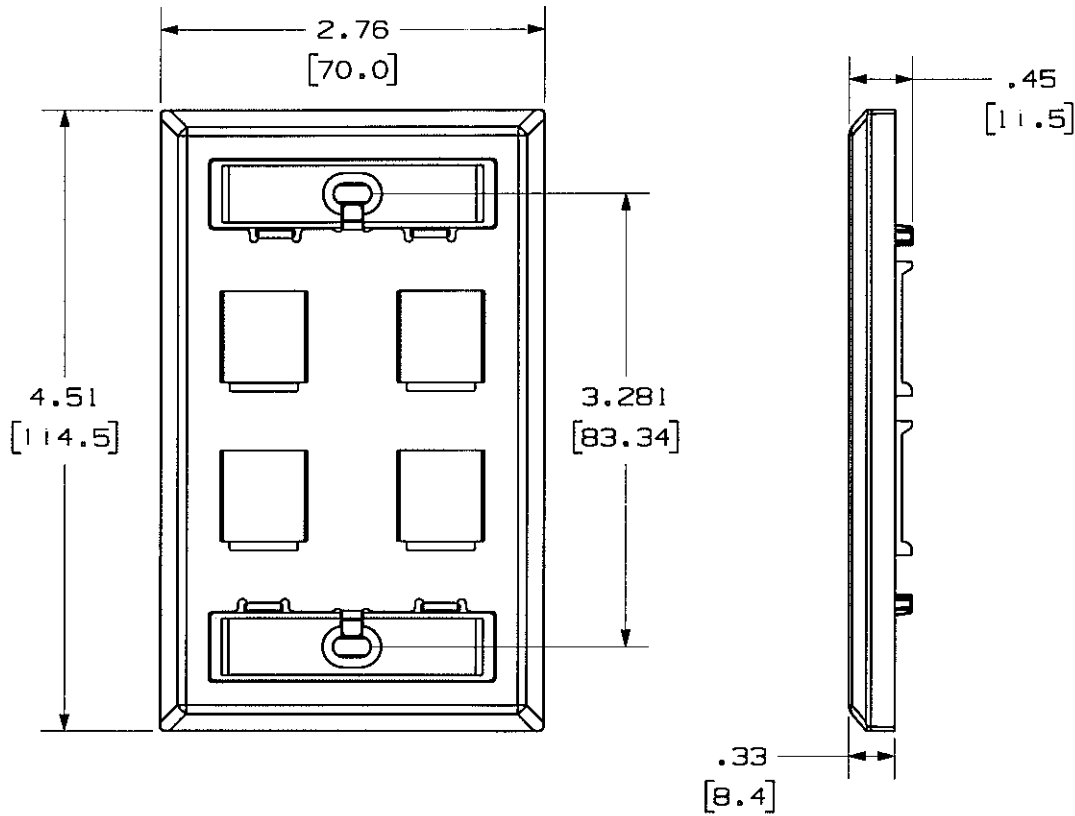


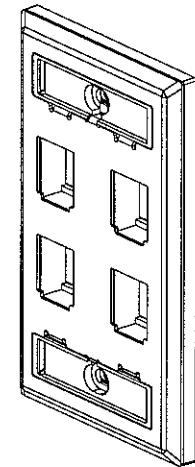
THIS COPY IS PROVIDED ON A RESTRICTED BASIS AND IS NOT TO BE USED IN ANY WAY DETRIMENTAL TO THE INTERESTS OF PANDUIT CORP.



PANDUIT P/N	WEIGHT
NKF4S	.92 LB/10 PCS (417.3g/10 PCS)

NOTES:

- SEE CURRENT CATALOG FOR ADDITIONAL PART NUMBER SUFFIXES TO INDICATE COLOR AND OR PACKAGE QUANTITY.
- SEE CATALOG FOR COMPLETE LIST OF PARTS APPLICABLE FOR USE WITH THIS PART.
- DIMENSIONS IN PARENTHESES ARE IN METRIC.
- PART INCLUDES:
 - FACEPLATE
 - #6-32 X 1" MOUNTING SCREWS
 - LABEL
 - LABEL COVER



MODEL FILENAME	M02423AB_NK4FS_00.PRT	SIZE	A
DRAWING FILENAME	M02423AB_DC_00B.PRT		

NETKEY 4 POSITION STAINLESS STEEL FACEPLATE WITH LABEL CUSTOMER DRAWING



THIRD ANGLE PROJECTION
DRAWN BY JSP
DATE 3-16-06
CHK'D MJD

ALL DIMENSIONS ARE GIVEN IN INCHES, UNLESS OTHERWISE SPECIFIED.
DIMENSIONAL TOLERANCES ARE:
(.X) ± .010(.25)
(.XX) ± .001(.01) ANGLES ±

MATERIAL:
FACEPLATE- STAINLESS STEEL
BACKING- ABS

I.I. NUMBER	N/A
PRODUCT SPEC	N/A
WORK INSTRUCTION	N/A
SCALE	NONE
PART NO.	NKF4S
DRAWING NO.	02423-03

REV	DATE	BY	CHK	DESCRIPTION	ECN	R	CUST	SUP	OTH
I	4-24-06	JSP	MJD	A. FIXED INCORRECT PART NUMBER.	02423-03				
R	3-16-06	JSP	MJD	RELEASED TO PRODUCTION	02423-03				